

Technical data sheet

Wall and support bracket MWAG 12

Item number: 6424608



Light-duty wall and support bracket with edged design for screwless mesh cable tray fastening.
Including truss-head bolt M10 x 25 for fastening to U supports.
Including truss-head bolt M10 x 25 for fastening to U supports.



- St** Steel
- FS** Strip galvanised

Master data

| | |
|------------------------------------|--------------------------|
| Item number | 6424608 |
| Type | MWAG 12 21 FS |
| Description 1 | Wall and support bracket |
| Description 2 | for mesh cable tray |
| Manufacturer | OBO |
| Dimension | B210mm |
| Colour | zinc |
| Material | Steel |
| Surface | Strip galvanised |
| Surface standard | DIN EN 10346 |
| Smallest sales unit | 1 |
| Unit of quantity | Piece |
| Weight | 24.4 kg |
| Weight unit | kg/100 pc. |
| CO2 Footprint (GWP) Cradle-to-Gate | 0,7514 kg CO2e / 1 Piece |

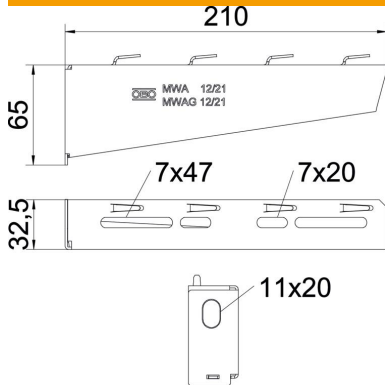
Technical data sheet

Wall and support bracket MWAG 12

Item number: 6424608



Dimensions

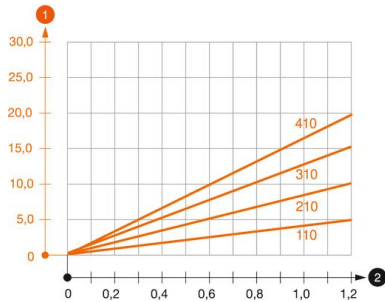


| | |
|-------------|---------|
| Length | 32.5 mm |
| Width | 210 mm |
| Height | 65 mm |
| Dimension A | 32.5 mm |
| Dimension B | 210 mm |
| Dimension H | 65 mm |

Technical data

| | |
|-------------------------------|--------------------------|
| Version for | Wall and support bracket |
| F in kN | 1.2 kN |
| Maintain electrical functions | no |
| for width max. | 200 mm |
| for width min. | 200 |
| Hole diameter | 11 mm |
| Rustproof steel, pickled | no |
| Angle range, max. | 90 mm |
| Angle range, min. | 90 mm |

Loads



Load diagram, bracket type MWAG 12

- 1** Bending of the bracket tip at permitted bracket load
- 2** Permitted bracket load in kN without man load
- Load curve with bracket lengths in mm

Characteristic anchor load values for wall and support bracket MWAG 12

| | |
|----------------|--|
| Wall fastening | Max. load [kN] |
| | Bracket width [mm] |
| Anchor type | <TEXT><P>110</P></TEXT>, <TEXT><P>210</P></TEXT>, <TEXT><P>310</P></TEXT>, <TEXT><P>410</P></TEXT> |
| BZ3 10x90/0-30 | <TEXT><P>1.2</P></TEXT>, <TEXT><P>1.2</P></TEXT>, <TEXT><P>1.2</P></TEXT>, <TEXT><P>1.2</P></TEXT> |

Max. Belastung F ges. = Kabelgewicht + Kabelrinne + Ausleger. Die angegebenen Werte basieren auf gerissenem Beton der Festigkeitsklasse C20/25. Die Einbaubedingungen der ETA-Zulassung (Dübel) sind zu beachten!

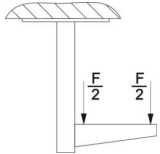
Technical data sheet

Wall and support bracket MWAG 12

Item number: 6424608



Load values for MWAG 12 on suspended support



| | Max. total load F in kN |
|------------------|--|
| | Bracket length in mm |
| Support | <P>100</P>, <P>200</P>, <P>300</P>, <P>400</P> |
| US 3 K/ 20 - 60 | <P>1.2</P>, <P>1.2</P>, <P>1.2</P>, <P>1.2</P> |
| US 3 K/ 70 - 120 | <P>1.2</P>, <P>1.2</P>, <P>1.2</P>, <P>1.2</P> |
| US 5 K/ 20 - 60 | <P>1.2</P>, <P>1.2</P>, <P>1.2</P>, <P>1.2</P> |
| US 5 K/ 70 - 120 | <P>1.2</P>, <P>1.2</P>, <P>1.2</P>, <P>1.2</P> |