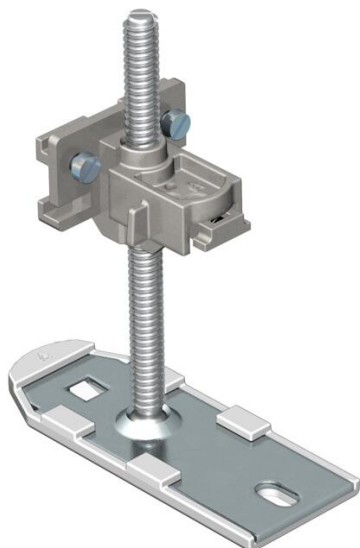


Technical data sheet

Height adjustment unit

Item number: 7425972



Complete levelling unit with express height adjustment for connecting, fastening and adjusting the height of trunking units of the OKA-G and OKA-W systems. For additional requirements.



St Steel

Master data

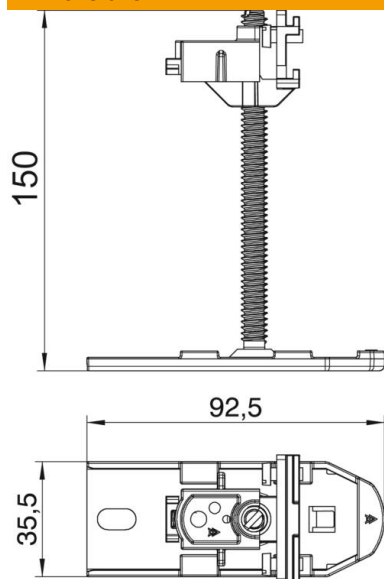
Item number	7425972
Type	OKA NEVE 150
Description 1	Height-adjustment unit
Description 2	for OKA-G and OKA-W
Manufacturer	OBO
Material	Steel
Smallest sales unit	6
Unit of quantity	Piece
Weight	15.3 kg
Weight unit	kg/100 pc.
CO2 Footprint (GWP) Cradle-to-Gate	0,5813 kg CO2e / 1 Piece

Technical data sheet

Height adjustment unit

Item number: 7425972

Dimensions



Length	92.5 mm
Width	35.5 mm
Dimension h	150 mm

Technical data

Type of accessory	Miscellaneous
Decouplable	no
Device support to accept mounting boxes	no
Trunking height, max.	150 mm
Duct height, min.	40 mm
Height-adjustment range, max.	150 mm
Height-adjustment range, min.	40 mm
Accessories	yes
Spare part	no