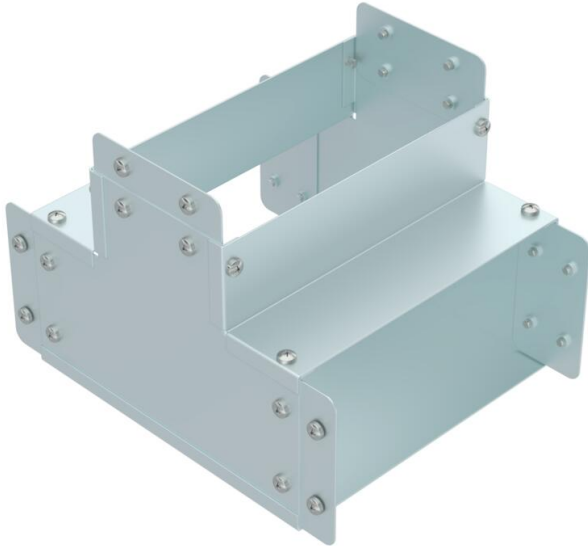


Technical data sheet

Trunking Pre Galvanised Tee Internal Cover Non Gusset

Trench Part No. SA84TIN-NG | OBO Item No. 7912331



Single Compartment Tee Internal Cover, Non Gusset, Pre-Galvanised Steel to suit Cable Trunking 200mm x 100mm
Ausführung ohne Eckblech.

St	Steel
PG	Pre galvanised

Master data

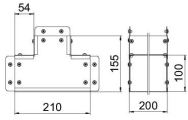
Type	SA84TIN-NG
Item number	7912331
Description 1	Tee internal with cover
Description 2	non gusset
Manufacturer	Trench
Dimension	200x100
Material	Steel
Surface	Pre galvanised
Surface standard	BS EN 10346
Smallest sales unit	1
Unit of quantity	Piece
Weight	145 kg
Weight unit	kg/100 pc.

Technical data sheet

Trunking Pre Galvanised Tee Internal Cover Non Gusset

Trench Part No. SA84TIN-NG | OBO Item No. 7912331

Dimensions



Width	205 mm
Height	156 mm
Dimension H	156 mm
Maß W	205 mm